

Interface Masters

◀ TECHNOLOGIES ▶

Innovative Network Solutions

Niagara 2264L

Low Profile PCI Express Quad Gigabit Copper Ports, with Bypass

Niagara 2264L is designed with a built-in programmable bypass circuit to provide maximum up time for the network. The Bypass circuit takes the Niagara 2264L ports off line in case of either power or software failure. The bypass circuit works in absence of power.

Niagara 2264L Gigabit Ethernet Server Adapters is built on Intel's Gigabit technology and Interface Masters' sterling design and customer service.

Niagara 2264L is optimized to support x4 PCI Express bus at speeds of up to 2.5 Gb/s.

Niagara 2264L supports an impressive 10 Gb/s in each direction simultaneously.

Features

- Intel's 82571EB controller
- Peak bandwidth 2.5 Gb/s in each direction per PCI Express lane
- Programmable "Close" or "Open" while in the power off state.
- Programmable independent mode to function as dual Giga bit fiber card
- Two integrated PHYs for 10/100/1000 Mb/s full- and half-duplex operation
- IEEE 802.3ab, 802.3u, 802.3x compliant
- Host offloading – TCP/IP/UDP checksum, TCP segmentation and advanced packet filtering
- Four RJ45 Connectors

Dimension:

Length, 169.30 mm

Height, 63.87 mm

How to reach us

Interface Masters, Inc.

227 Devcon Dr., San Jose, CA 95112

Phone: 408-456-2545

Fax: 815-364-0888

E-mail: sales@interfacemasters.com

Home page: <http://www.interfacemasters.com>

Interface Masters

◀ TECHNOLOGIES ▶

Innovative Network Solutions

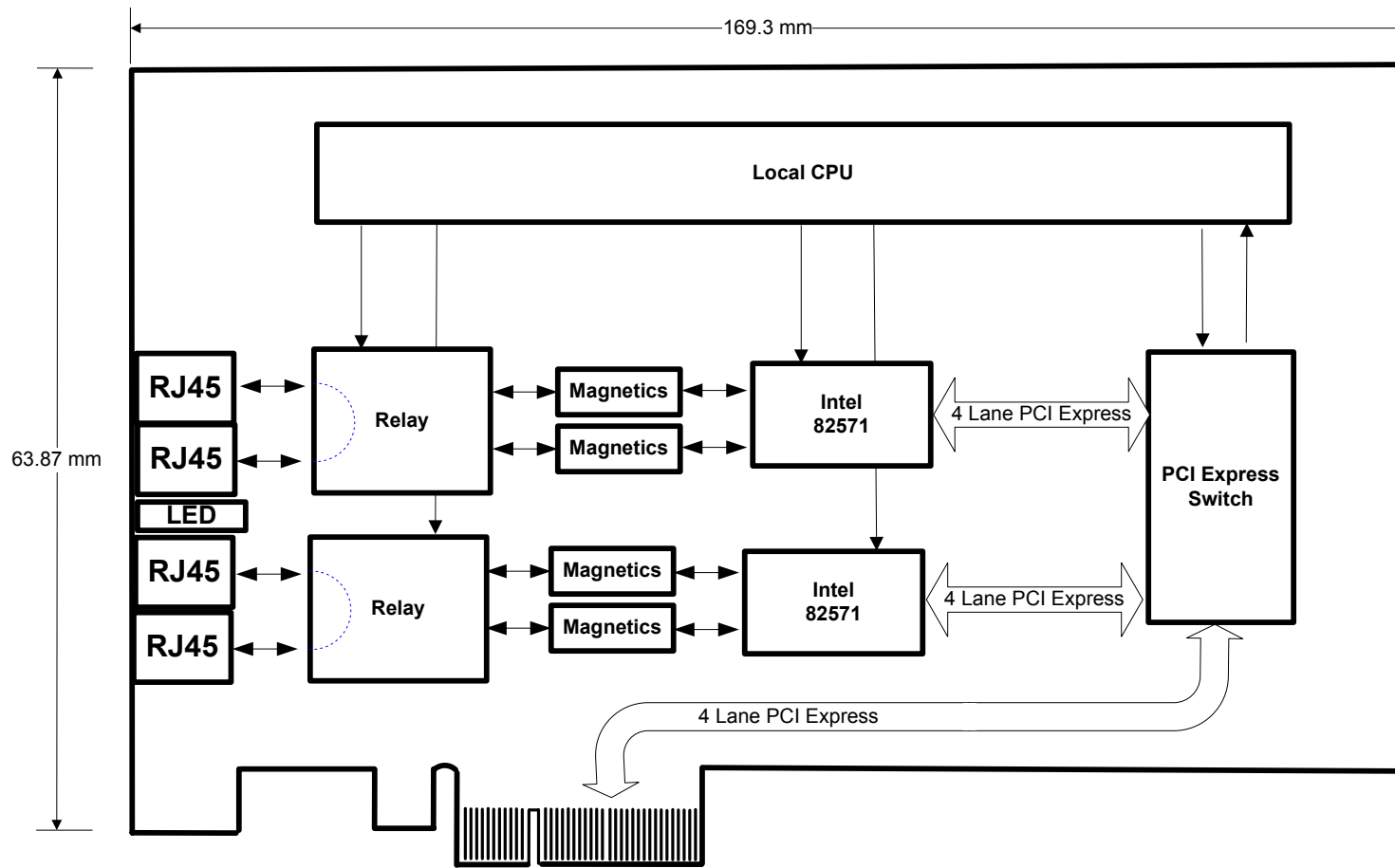


Figure 1 Block Diagram

Interface Masters

◀ TECHNOLOGIES ▶

Innovative Network Solutions

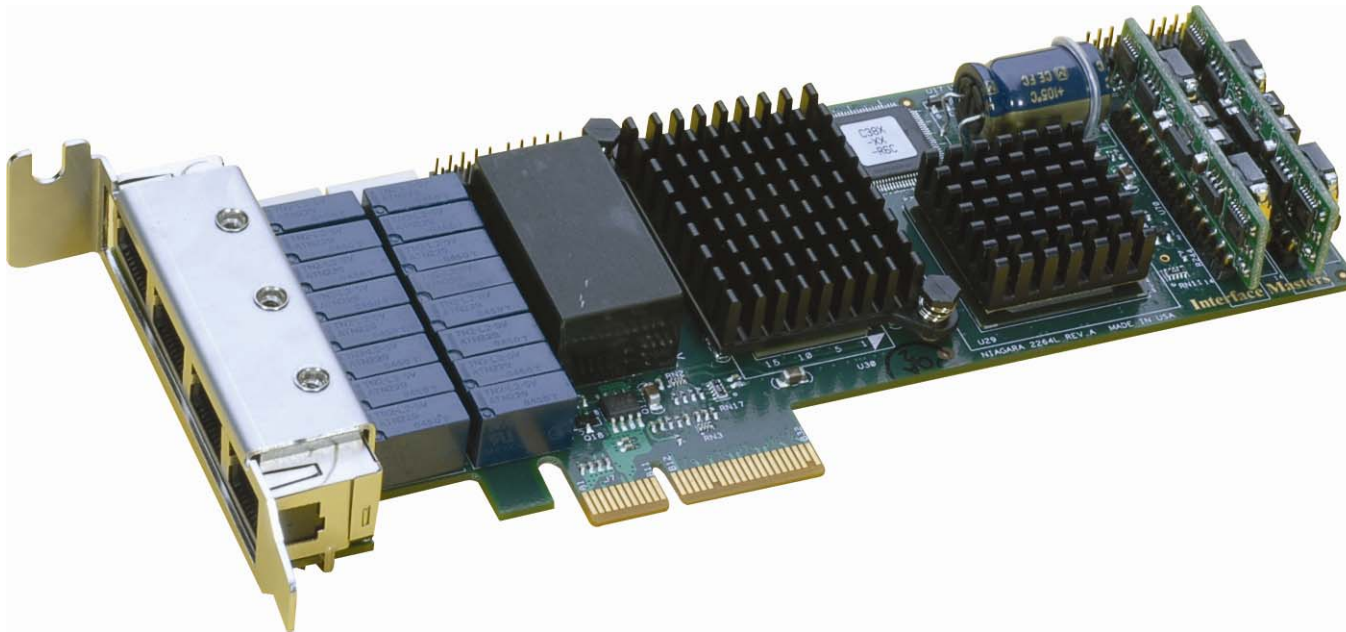


Figure 2, Fully assembled board