



# Niagara 2263

## *PCI Express **Quad** Gigabit Copper Ports, with Bypass*

Niagara 2263 is designed with a built-in programmable bypass circuit to provide maximum up time for the network. The Bypass circuit takes the Niagara 2263 ports off line in case of either power or software failure. The bypass circuit works in absence of power.

Niagara 2263 Gigabit Ethernet Server Adapters is built on Intel's Gigabit technology and Interface Masters' sterling design and customer service.

Niagara 2263 is optimized to support x8 PCI Express bus at speeds of up to 2.5 Gb/s.

Niagara 2263 supports an impressive 2 GB/s in each direction simultaneously, for an aggregate of 4 GB/s via the PCI Express bus.

### **Features**

- Intel's 82546GB controller
- Programmable "Close" or "Open" while in the power off state.
- Programmable independent mode to function as dual Giga bit fiber card
- Two integrated PHYs for 10/100/1000 Mb/s full- and half-duplex operation
- PCI-X 1.0a compatible, 64-bit/133MHz
- IEEE 802.3ab, 802.3u, 802.3x compliant
- Host offloading – TCP/IP/UDP checksum, TCP segmentation and advanced packet filtering
- Four RJ45 Connectors

### **Dimension:**

Length, 6.50" (165.10 mm)

Height, 4.18" (106.17 mm)

### **How to reach us**

Interface Masters, Inc.

2381 Zanker Road, Suite 130, San Jose, CA 95131

Phone: 408-456-2545 x10

Fax: 815-364-0888

E-mail: [info@interfacemasters.com](mailto:info@interfacemasters.com)

Home page: <http://www.interfacemasters.com>

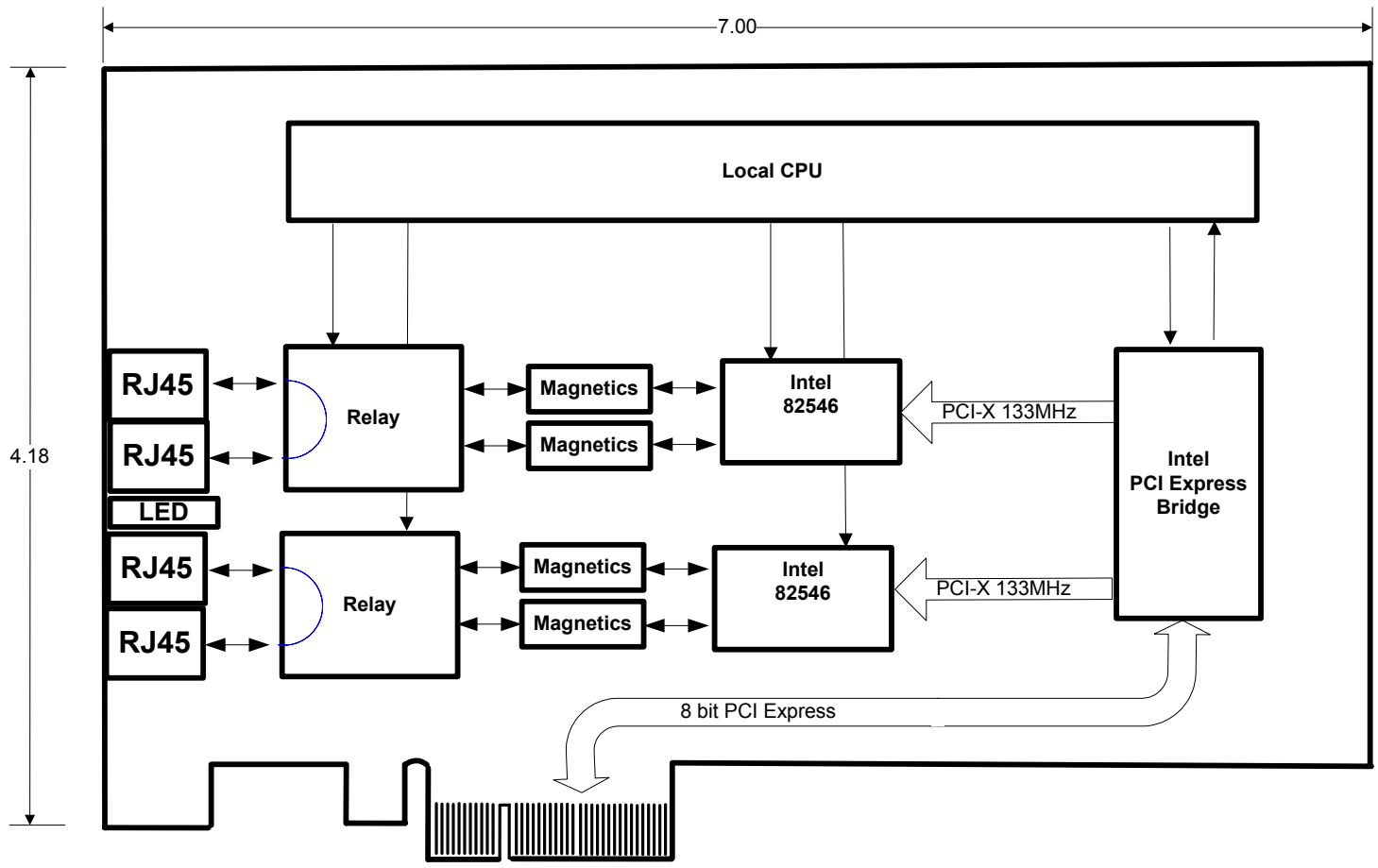


Figure 1 Block Diagram

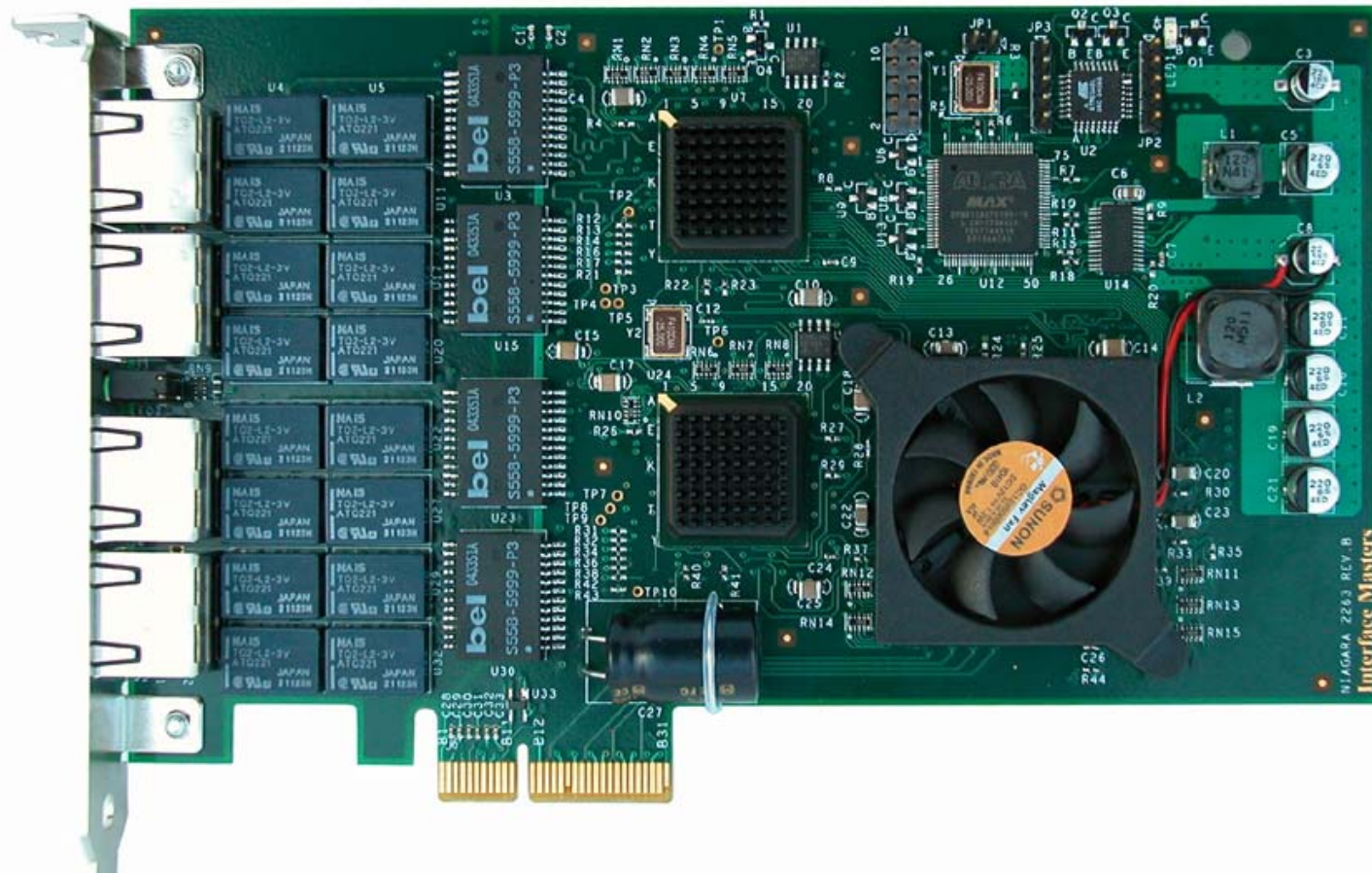


Figure 2, Fully assembled board